

San Diego Fine Woodworkers Association

Volume 23

May 2004 Newsletter

Issue 4

The Next Meeting is 7 pm, **FRIDAY** May 21st at the Al Bahr Temple, 5440 Kearny Mesa Rd. Behind the Hampton Inn.

May Program

Arts and Crafts Revisited

Our May program will feature last years Del Mar Fair "Best of Show" winner Alice Suszynski. After thirty years of woodworking, Alice describes her transition from working as a cabinetmaker to designing and building furniture. While looking for a creative motive, her inspiration became the Arts and Crafts style of the early 20th century. Alice will share what she knows about this movement's philosophy and aesthetics. You will learn about the rich vocabulary of line and motif which speaks to the craftsman, particularly in wood. She will show examples of Craftsman and Prairie style architecture and furnishings and describe how she uses these as impetus for her own work. You will be encouraged to seek and find your personal source of inspiration.

See you there on Friday May 21st.

Del Cover, Program Chairman

May Raffle

Seven Great Prizes



We needed to trim the ends of several shelves to make them thin enough to fit into the $\frac{3}{4}$ " mortises we had cut by router, but didn't want to sand or risk dado blades because our desired width of cut was precisely a sixteenth of an inch deep and $\frac{3}{8}$ of an inch wide. Looking through our antique plane collection we spotted our Stanley 95 edge plane, and it was the perfect tool! These are getting hard to find and expensive at old tool sales, but Lie-Nielsen is producing a modern improved version, and it's in the raffle this month. Great for getting perfect edges. Thanks again to Craftsman Studios.

Another worthwhile prize is a set of 16 Forstner bits PLUS 18 router bits. But then, they're all worthwhile prizes and worth taking a chance or several to win.

A smaller than usual crowd at the April meeting meant less income for the raffle, but we're still maintaining the quality and value you've come to expect from our raffle.

Here are all seven prizes:

1. Ryobi 18-volt Drill and Jigsaw kit
2. Makita 9.6 volt drill with 9.6 flashlight
3. Lie-Nielsen Edge Plane
4. Porter Cable 693 Standard and Plunge router kit.
5. Set of 4 heavy duty clamps
6. Sixteen Forstner bits AND eighteen router bits
7. A Bucketful of wood, tools and surprises.

Two great tools in a single box
With charger and two batteries
Like the Stanley 95. No guesswork for edge-planing
A Raffle tradition
A show special from Ontario
A shop full

Ticket sales start at 6:30, half an hour before the meeting. Reward yourself by getting extra tickets.

Bill Collins, Raffle and Resource Chairman

From the President...

This is the last meeting before the Design In Wood show. WE STILL NEED VOLUNTEERS FOR SET UP AND DURING THE SHOW. We still have openings for the floor and the 18th Century cabinet shop. You get a ticket each time you volunteer and you can always volunteer for more than one shift. Help us fill the roster at the May meeting.

Of course, no sign up is necessary to help with set up. You get fair tickets for helping with the set up also, just show up. If you have a screw gun, bring it. If not just come with a willingness to help, there is plenty to do. We will feed you and provide plenty of refreshments. The more people we have the easier it is on everyone. Set up really goes by quickly and it is a good way to meet people in the organization. We always have a good time and it is a lot of fun. Just show up and we will put you to work. Get involved and take advantage of the opportunity to work with your fellow woodworkers. Times and dates are provided in Bob Stevenson's article on the Design in Wood Show.

I hope you are working on your entries. We have two categories of awards reserved just for SDFWA members. First, second and third place awards for both amateur and professional categories.

Our speaker this month is Alice Suszynski. Alice is a gifted woodworker and designer whose work is influenced by Frank Lloyd Wright and the Arts and Crafts movement. She was the grand prizewinner in last year's DIW show.

This month Bill Collins has another great selection for the raffle. Remember to bring something for the brag table and get your raffle tickets early. See you at the meeting.

Ed Gladney, President

DESIGN IN WOOD

With 192 people entering 354 pieces, this year's exhibition will be something you won't want to miss. We have every conceivable wooden object you can think of.

You can see these objects best, up close and personal, by signing up to help out as a gallery walker. You are needed to help thousands of people traversing our exhibit each day. We really need your assistance.

If your passion is woodworking, sign up to help with the children's chair project working in the 19th Century Cabinet Shop. It is a lot of fun and you just might learn something new.

For every shift you sign up for, you receive two (2) free passes to the Fair. Sign up for several shifts and bring your family and your neighbors too. We will have the sign up sheets at the May meeting. However, you can sign up now by calling Sharon Pierce at (760) 470-1205. Sharon does other things but she will return your call and help you sign up. Tell her the best time to call you back if you miss her initially.

We will be setting up the exhibit May 25, 26, & 27 (Tuesday through Thursday) and the Holiday, May 31, June 1 & 2 (Monday through Wednesday). On the first three days (May 25, 26, and 27) we can park near the building. On Monday, May 31 (Holiday) and June 1 & 2, we have to park in the main lot.

If you can help, we start at 8:30am and work until about 3:00 or 4:00pm with a great free lunch and other refreshments, and best of all I'll pay you with free passes to the Fair. No need to sign up to help with set up, just show up. Make sure you sign in so we can pay you. If you bring any of your own tools with you such as drill drivers, be sure to clearly mark them with your name.

Any questions call or E-mail

Bob Stevenson, Show & Exhibits Chairman, 619-422-7338 or BOBSCWW@cs.com

Toy Program



Since our last report the following toys & chairs have been completed:

33	1-2-3-4 Puzzles	Jerry's Toy Group	20	Classic Cars	Frank Butler
28	Small Wagons	Jerry's Toy Group	16	Pocket Cars	Dick Ugoretz
48	Baby Beds	Hecklesberg Toy G.	8	Acrobat Toy	Dick Ugoretz
26	Car Haulers	Hecklesberg Toy G.	4	Pencil Boxes	Dick Ugoretz
210	Sjpinner Toys	Jerry & Jims Toy G.	117	Cars	Chuck Goldsmith
34	Rattle Toys	Hall & Jerry Toy G.	7	Trucks	Chuck Goldsmith
7	Small Cars	Don Little	3	Push Toys	Chuck Goldsmith

Much thanks to all for contributing your skill, time and effort to bring our toy program to the needy. Our toy/chair total for the year is 1,185.

Charlie Bierman, Bob Frederick, & Roger Solheid from the Toy Program.

Roger Solheid, Toy Program Chairman

Cut Out for Kids Program

Hospitalized children at Children's Hospital received 384 cutouts and 31 memory boxes since the last report. 13 Memory Boxes and 83 cutouts went to the Children's Ward at Balboa Naval Hospital.

These members turned in the following at our April meeting:

Bob Anttila	100 cutouts
Susan Kochel	67 cutouts
Doug Parker	89 cutouts
Collins Shop	87 cutouts
Carl Drake	12 pencil boxes

I will have patterns and wood at the May meeting, and would love to see you get involved in this truly satisfying endeavor.

Jack Thurman, Cut Out Program Chairman

May Membership Report

Current membership is 1453, slightly ahead of the number at this date last year; 1297 (78.4%) renewed, 156 new members. Approximately 39% of members spouses have member cards and 23% of members opt for getting their newsletters from our website.

If you have chosen the latter, and haven't already done so, send an email to HarrySDFWA@aol.com and you will receive a private notice when the next newsletter is available on our website, www.sdfwa.org. Include your name so that we can delete you from the newsletter snailmail list.

Len Wener, Membership Chairman lenwener@cox.net or 619- 222-5521

Wants and Disposals

As you all know, the Wants & Disposals, is open only to current members, that want to Buy, Sell, or Trade equipment or supplies. It is not for commercial ads. To list an item, please e-mail Bob Coates at coatesrm@san.rr.com or call 858-549-3484 and leave only your name, identify yourself as a SDFWA member, and an evening call back number. When I call back, please provide the following: Full Name, E mail address if you have one, the general area or town of San Diego Co. where the equipment can be seen, price range & describe the item. Bring a picture to the meeting and a brief talk or sales pitch. We do not have display area, so please bring only pictures to the General Meeting.

Please Note; each ad will only run in one issue of the newsletter. If you want to run the ad again you will have to resubmit the information to Bob Coates at the above listed e-mail or phone number.

Bob Coates, Chairman Wants and Disposals

Disposals

10" Delta Contractor's Tablesaw, model 36-600. Excellent condition. Includes an extra factory throat plate for dado blades and several shop > made items. These include a mobile base, two cross-cutting sleds and one zero clearance throat plate. Asking \$225.

Contact Ken Sayler, 760- 747-1190 (Escondido) or email Ken_Sayler@sbcglobal.net

I have a 2 ft by 6 ft panel of patterned plastic, brown with "Coke bottle bottom" pattern. It's about 1/8 in thick. A small piece, 1-1/2 X 3 inches maximum, is broken from one corner. It is free to any one who wants to come get it.

Contact Len, 619- 222-5521 or e-mail lenwener@cox.net.

Shopsmith Scroll Saw, stand-mounted, used twice. New condition. Asking \$400.

Contact Ralph Cook, 619-820-0071 or e-mail cook-22@cox.net.

Jet supersaw sliding table like new, solid and precise, works well on a unisaw also. Asking \$250

Contact Joe, 619 224-0840

Powermatic 66 Saw, Beismeyer Fence, Mobile Base, Extension Table. Asking \$1,000. Woodfast Lathe. Asking \$1400. Ryobi Sliding Compound Saw. Asking \$100. Makita 10" Chop Saw. Asking \$65, and New Jet mortising attachment for a drill press still in box.

Contact Ken Patterson 619-588-7848

Ryobi Table Saw + Accessories. Asking \$400

Contact Eric Heinz, 858-245-5252

New Joint-Tech SF-24 & SF 32 incremental fence. New Delta Tenoning Jig. Asking \$35. 6" Joiner Central Machinery. Asking \$150. Rockwell 48" Lathe. Asking \$100.

Contact Sharon Meza, 760-471-7757

10" 50 T Saw Blade \$49.

Contact Charlie White, 619-475-6166 or e-mail whiteenjr@juno.com

Wants

Performax 22x44 drum sander. Also want Blum Minipress machine

Contact Joe, 619 224-0840

Wanted someone to make small replacement Furniture Parts.

Contact David Brown, 619-596-8883

Reminder: When you Sell or find what you need; or have a correction please:

Contact Bob Coates at coatesrm@san.rr.com or call 858-549-3484

Pro Bono Report

Organization	<u>About the Organization</u>	Toys Donated
Bayside Community Center	Bayside Community Center is located on Comstock Street in San Diego. It provides various programs for the residents of Linda Vista and the surrounding neighborhood. Some of these programs include an after-school program, summer day camp, health services, emergency assistance (food, clothing, etc.), and senior activities.	5 chairs 10 puzzles 4 helicopters 4 jeeps 2 stools 20 small cars 20 other small toys
SAY San Diego	SAY San Diego, or Social Advocates for Youth, began 31 years ago. It is a non-profit organization that provides services to the youth of San Diego, such as before and after school programs; education on pregnancy, substance abuse, and gangs; and counseling for the individual and family. We have donated to several of the eight locations.	5 chairs 10 puzzles 5 helicopters 3 jeeps 20 small cars 25 other small toys

Mr. Vitale,

My name is Victoria S. Collins and I work for Bayside Community Center. I originally made contact with your organization in order to get tables and wooden chairs donated to our Center. I was out on vacation when you delivered the chairs and added some toys. I just wanted to say thanks to you and to all the people that make such beautiful pieces for making a difference in our Community.

I run one of the children's Programs and all the toys have been a great hit. We keep those toys in our Center but we take them off site when we run the children's groups... Once again THANK YOU!!!

With regards

Victoria S. Collins
Parent Coordinator/Educator
Bayside Community Center
(858)278-0771

Jim Vitale, Pro Bono Chairman

SDFWA Tips and Techniques

This month's Tips and Techniques are mostly for the router. I have received some good ones so keep them coming. We will do some more in the July newsletter. Send me your favorites.

Email or mail to
Ed Gladney
"Tips and Techniques"
Gladney@san.rr.com
10061 Riverhead Drive
San Diego, CA 92129

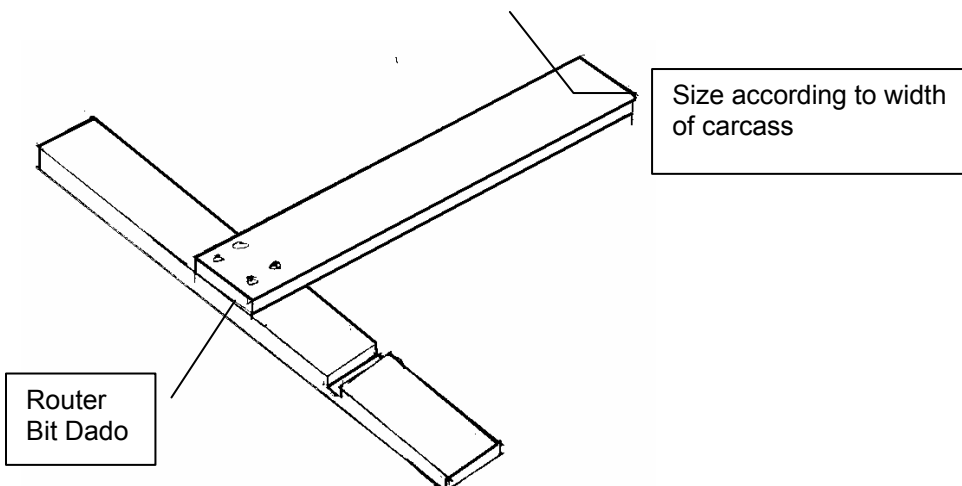
1. The Woodworkers Best Friend - Carpet Tape

Double sided carpet tape is one of the best ways to hold a pattern on the stock for pattern routing. No nail hole or clamps to get in the way. Just peel it off when finished. It is readily available at home supply centers.

2. A good (and cheaper) substitute for those "router mats" available in some catalogs is the rubberized mats for holding throw rugs in place. The stuff comes in rolls from home centers and is much less expensive. Just cut off a hunk when you need it. Works great for holding small pieces for sanding and for lining your toolbox drawers.

3. Making small moldings for jewelry boxes can be intimidating. How do you hold those small pieces against a router bit spinning at 25,000 RPM? Easy. Use a wide board and route the molding pattern on both edges. Then slice the molding to width on the table saw.

4. A jig for laying out making accurate dado cuts for bookshelves and cabinets is easily made with some scrap plywood. Make a T square as shown below. You will need one for different size bits but most carcasses are made with $\frac{3}{4}$ " stock, so a $\frac{3}{4}$ " "plywood cutting bit" ($\frac{25}{32}$ " bit for $\frac{3}{4}$ " plywood) should be enough. Medium density fiberboard (MDF) is a true $\frac{3}{4}$ " so use a $\frac{3}{4}$ " bit for that. Make the leg a little longer than your carcass width. To make sure both sides have the same dado position, clamp the bookcase or cabinet sides together and rout both at once, then your shelves are sure to be level.



FINISHING TIP from Bob Stevenson...

At my lecture last month a gentleman asked, "How do I tell a wiping varnish like Waterlox from an oil/varnish blend like Watco?" I only partially answered the question.

Of course the label may help but most finishing manufacturers don't really give you much useful information on the label.

Pour some finish on a piece of glass. If it is wiping varnish, it will dry clear, smooth and relatively hard. If it is an oil/varnish blend, it will dry wrinkled and soft.

CLEANING TIP from Dale Stauffer...

Use oven cleaner to remove pitch and resin from saw blades. It works just as good as commercial cleaner and it is cheaper.

BRAG TABLE



Martin Muccirone – Cradle



Don Reader – Jewelry Box



Bill Collins – Napkin Holder

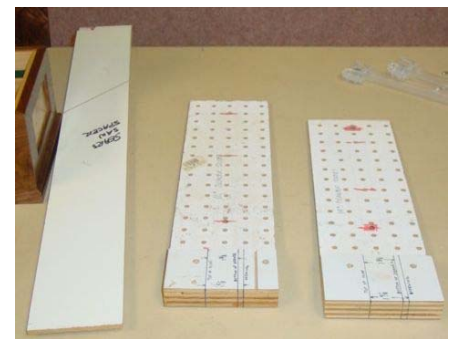


Paul Micheletti – Cherry Tea Table

TIPS AND TECHNIQUES



Dale Stauffer – Wax Box for Screws & Plans Holder from dress hanger



Ed Gladney – Jigs for circular saw (cutting to the line) & installing drawer guides

2004 San Diego Fine Woodworkers Association

DIRECTORS

President:	Ed Gladney	858-484-4366	E-mail	Gladney@san.rr.com
Vice-President:	Tom Henderson	760-471-6642	E-mail	tomlin1@cox.net
Treasurer:	Doug Parker	619-421-0636	E-mail	gothamst@aol.com
Secretary:	Jon Lundquist	619-265-8327	E-mail	jlundquist@nethere.com
Member at Large:	John van Blerck	858-673-2104	E-mail	jvanblerck@jvbc.com

COMMITTEES

Newsletter Editor:	Ron Rossi	619-582-9883	E-mail	ronrossi@cox.net
Membership:	Leonard Wener	619-222-5521	E-mail	lenwener@cox.net
	Harry Baldwin	858-278-8718	E-mail	HarrySDFWA@aol.com
Membership Greeter:	Melissa Ciandro	858-535-1302	E-mail	mcicandro@ucsd.edu
Programs:	Del Cover	858-270-7739	E-mail	delcover@yahoo.com
Sound Technician:	Thomas Johnson	619-281-7170	E-mail	tejohn_22058@msn.com
Video Technician:	Michael Fairbanks	619-465-4972		
Shop Tours:	John Van Blerck	858-673-2104	E-mail	jvanblerck@jvbc.com
Shows/Exhibits:	Bob Stevenson	619-422-7338	E-mail	bobscww@cs.com
Historian:	David Barnhart	760-721-1457	E-mail	barnhartd@cox.net
Special Events:	Tom Henderson	760-471-6642	E-mail	tomlin1@cox.net
	Jim Vitale	858-623-8630	E-mail	jamespvitale@yahoo.com
Publicity:	Tom Henderson	760-471-6642	E-mail	tomlin1@cox.net
Merchandise:	Jack Thurman	619-443-3465		
Property/Swap Meet:	Bill Collins	619-232-4626	E-mail	djackbil@ix.netcom.com
Resources/Raffle:	John Pierce	760-765-2744	E-mail	spierce44@hotmail.com
	Peter Tobias	760-753-3173	E-mail	tobias@scripps.edu
	Bill Collins	619-232-4626	E-mail	djackbil@ix.netcom.com
	Chuck Anderson	858-273-3055	E-mail	chucker@san.rr.com
Web Site:	Jim Sykora	858-451-1035	E-mail	webmaster@sdfwa.org
Scholarships:	Russ Filbeck	858-566-9699		
	Jack Stone	760-749-7137	E-mail	jstone@palomar.edu
Toy Program:	Roger Solheid	858-279-1140		
	Bob Frederick	619-464-3251		
	Charlie Bierman	619-276-0048		
Video Library:	Bob Reese	858-695-2460	E-mail	rtreese@juno.com
Refreshments:	Harry Feucht	619-232-4626	E-mail	hpfeucht@worldnet.att.net
	Ron Rossi	619-582-9883	E-mail	ronrossi@cox.net
	Don Spangler	858-270-6165	E-mail	coffeorganic@hotmail.com
Pro Bono:	Jim Vitale	858-623-8630	E-mail	jamespvitale@yahoo.com
E-Mail Mailing List Manager	Bill Kohr	619-670-7107	E-mail	SDFWA-LM@FineTools.org
Wants and Disposals:	Bob Coates	858-549-3484	E-mail	coatesrm@san.rr.com
Mentor Program	Chuck Anderson	858-273-3055	E-mail	chucker@san.rr.com
NTC Feasibility Study	Dale Stauffer	619-561-2202	E-mail	dstauffer@k-online.com

Meeting Dates for 2004

General Membership Meetings 2004

Al Bahr Temple
5440 Kearney Mesa Road, San Diego
behind the Hampton Inn. At 7:00pm

May 21 (Friday) September 29
 July 28 December 1

SDFWA Mailing Address

P.O. Box 82323 San Diego, CA 92138-2323

Board Meetings

Hardwood & Hardware Co.
9040 Activity Road, San Diego.
At 7:00pm

May 5 September 1
 July 7 November 3

SDFWA Web Page Address

<http://www.sdfwa.org>

RESOURCES

To receive your discounts, please show your membership card before you make a purchase.

American Furniture Design Co www.americanfurnituredsgn.com

Phone: 760-743-6923 (Orders)
Hours: 8:30-4:30 M-F
E-mail americanfurniture@cox.net
Brian Murphy, Proprietor

125 of the Finest Woodworking Plans, San Diego's only supplier of Daly's Finishing Supplies, Hardware, Hand Tools and Books Call for a Free Catalog!

Craftsman Studio – Fine Tools & Books Website 7/24 www.CraftsmanStudio.com

Phone Orders/Info M-F 9-5, Sat by chance
(619) 670-7107 or Toll Free 888-500-9093

Lie-Nielsen, HNT Gordon, Stanley, Hock, Two Cherries, Norton, Matsumura chisels, Starrett, Thos Finn, Robt Sorby & more.

Cut & Dried Hardwood

241 S Cedros Ave.
Solana Beach, CA 92075
Phone: (858) 481-0442
Hours: 8:00-5:00 M-S, 11:00-4:00 Sun.

Hard to find woods, including turning/carving stock. Largest selection of woodworking books in San Diego.

Dunn-Edwards Paints

5250 Jackson Dr. #100
La Mesa, CA 91941
Phone: (619) 258-2111
Hours: 6:30-5:00 Mon-Sat.

Varnishes, stains, lacquers, brushes, patching compounds and other supplies. Call for more information.

Environmental Spray Systems

7114 Convoy Ct.
San Diego, CA 92111
Phone: (858) 279-7114
Hours: 8:00-5:30 M-F

Specializing in spray finishing equipment. Local distributor for Devilbiss, Graco, Paasche, and Accuspray.

Fas-N-Go

2260 Main St.
Chula Vista CA
Phone: (619) 424-4774
Hours: 7:30-5:00 M-F

Nail guns, nails, brads, staples, compressors and all accessories for nail guns. Fast repair service. Distributor for Senco, 3M, Spotnail, Paslode and other major brands.

Frost Hardwood Lumber (www.frosthardwood.com)

6565 Miramar Rd.
San Diego, CA 92112
Phone: (858) 455-9060 (800) 258-3534
Hours: 7:30-5:00 M-F, 8:00-12:30 Sat.

San Diego's largest inventory of domestic and exotic hardwood lumber, plywood, mdf, and formica. Custom milling and mouldings available.

The Hardwood and Hardware Company

9040 Activity Road Suite E
San Diego, CA 92123
Phone: (858) 569-2482 Fax: (858) 569-8448
Hours: M-F 8:00-5:00, Sat. 9:00-4:00

Domestic & Imported Hardwoods, Mouldings, Plywoods & Veneers, Cabinet Hardware, Hand Tools & Woodworking Supplies. Great service and large selection.

Lane Stanton Vance Lumber (El Cajon)

360 Vernon Way
El Cajon, CA 92020
Phone: (619) 442-0821
Hours: 7:00-4:30 M-F, 7:00-12:00 Sat.

Lane Stanton Vance Lumber (San Marcos)

1415 Descanso Ave.
San Marcos, CA 92069
Phone: (760) 471-4971
Hours: 7:00-4:30 M-F, 8:00-12:00 Sat.

Hardwoods and sheet goods.

RESOURCES

Mission Molding & Wood Specialties

9510 Chesapeake Dr. # 401
San Diego, CA 92123
Phone: (858) 569-8591
Hours: 7:30-5:00 M-F, 9:00-3:00 Sat.

San Diego's source for wood mouldings and architectural specialties.

Overnite Saw Service

2180 San Diego Ave.
San Diego, CA 92110
Phone: (619) 295-6406
Hours: 8:00-4:30 M-F
John Gaither

Hand & Circle Saws Sharpened.

Packaging Store (new owner - Jim Phillips)

7848A Silverton
San Diego, CA 92128
Phone: (858) 549-7225
Hours: 9:00-5:00 M-F

Custom boxes, crating, packing supplies, and shipping.
Phone estimates and pick up service available.

Rockler (Formerly the Woodworker's Store)

8199 Clairemont Mesa Blvd.
San Diego, CA 92111
Phone: (858) 268-1005
Hours: 9:00-7:00 M-Th, 9:00-8:00 F, 9:00-5:00 Sat., 11:00-5:00 Sun.

Woodworking tools and materials. Catalogues are available. .

R. S. Hughes Co. Inc.

1281-B Liberty Way
Vista, CA 92081-8309
Phone: (760) 597-0222 Fax: (760) 597-8924
Hours: 7:45-5:00 M-F
Chuck Schweikart, Manager

San Diego's largest inventory of 3m abrasives, adhesives, safety equipment and more. Phone orders/estimates. UPS shipping or walk in service available.

Tool Depot

3799 Gaines St
San Diego, CA 92110
Phone: (619) 220-7111
Hours: 7:00-6:00 M-F, 9:00-5:00 Sat.

1441 Encinitas Blvd.
Encinitas CA 92123
Phone: (760) 943-9120
Hours: 7:00-6:00 M-F, 7:00-3:00 Sat., 10:00-2:00 Sun.

1655 South Broadway near Main
Chula Vista, CA 91911
Phone: (619) 585-1800
Hours: 7:00-6:00 M-F, 7:00-3:00 Sat., 10:00-2:00 Sun.

Toolmart, Inc (www.toolmarts.com)

4810 Mercury St.
San Diego, CA 92111-1603
Phone: (858) 495-0491
Hours: 7:30-5:30 M-F, 7:00-4:00 Sat.

750 N. Citracado Parkway (Mission At Nordahl)
Escondido, CA 92029-1030
Phone: (760) 480-1444
Hours: 7:00-5:30 M-F, 7:00-4:00 Sat.

28011 Jefferson Ave.
Temecula, CA 92590-2633
Phone: (909) 676-5210
Hours: 7:00-5:30 M-F, 7:00-4:00 Sat.

PRO-TEK Tool Repair (A division of Toolmart)

1355 Grand Ave. #108
San Marcos, CA 92069-2513
Phone: (760) 471-4800
Hours: 8:00-5:00 M-F

Toolmart, Inc is an authorized distribution and repair center for major brands (Makita, Milwaukee, Delta, DeWalt, Porter Cable, etc).

White Engineering and Manufacturing

Phone: (619) 475-6166
Charlie White

A big selection (More than 25 types) of high-quality Scarpaz sawblades at rock bottom prices. Call for more information.

Woodworker West (www.woodwest.com)

P.O. Box 452058
Los Angeles, CA 90045
Phone: (310) 216-9265 Fax: (310) 216-9274
E-mail: editor@woodwest.com

A bi-monthly magazine promoting craftsmanship
in woodworking through the Western U.S.

E-Reminders

We now have an E-Reminder system setup, which will send out emails to remind members of up coming events such as shop tours and the Old Tool Swap Meet. If you would like to be added to the list, please send me an email to jvanblerck@jvbcm.com, and I will add your email to the list. The system has no irritating popups or commercials attached to it!

VIDEO LOAN REQUEST

You must be a member of SDFWA to borrow videos

I wish to borrow one of the following videotapes and agree to return it within seven (7) days of my receipt of it. A postpaid return label and an order form are enclosed. I understand that a late return charge of \$1 per day may be assessed and that I am responsible for replacement of the tape if it is damaged or lost while in my custody. If your first choice is not available, you will receive your second choice.

Enclosed is \$3.00 to cover postage and handling. My choices are:

(1) _____ (2) _____

NAME: _____ PHONE: _____ E-Mail _____

ADDRESS: _____ CITY _____ STATE _____ ZIPCODE _____

SIGNATURE: _____

Make checks payable to SDFWA. Mail to SDFWA LIBRARY, c/o Bob Reese, 10886 Aviary Ct. San Diego, CA 92131

PLEASE KEEP THIS LIST

This list will only be printed twice a year. Any changes to this list will be in the newsletter as new or deleted videos or books. The next printing of the list will be in the September Newsletter. Video request coupons will be printed in every newsletter. You must be a member of SDFWA to borrow videos.

VIDEO LIBRARY

You will notice that the arrangement of videotapes in our library is by their general topics Also, there are more tapes now available (125), thanks to gifts from members. We have duplicates of many of the tapes, so you are very likely to promptly receive your choice. **NOTE** that the tapes which are **typed in bold** (some with booklets) weigh more than one pound. Postal security requires that they **not** be posted in mail drop boxes, but must be delivered to a Post Office. The items marked with * were not previously listed

Cabinetmaking

Cabinets	<i>Lowe</i>	Building the Cabinet	<i>Cliffe</i>
Basic Drawer Construction	<i>Cliffe</i>	Advanced Drawer Construction	<i>Cliffe</i>
Basic Door Construction	<i>Cliffe</i>	Advanced Door Construction	<i>Cliffe</i>
Fitting Doors (Video Takes)	<i>Bunn</i>	Making Kitchen Cabinets	<i>Levine</i>
Cope &: Stick Router Doors	<i>Cliffe</i>	Router Door Basics	<i>Cliffe</i>
Installing Knife Hinges (Video Takes)	<i>Rogowski</i>	Bookcase (with booklet)	<i>Shopsmith</i>
Cabinets	<i>Lowe</i>	Building the Cabinet	<i>Cliffe</i>
Belt Sanding Drawer Fronts	<i>Becksvort</i>		

Joinery

Making Mortise & Tenon Joints	<i>Klausz</i>	Router Joinery	<i>Rogowski</i>
Dovetail a Drawer	<i>Klausz</i>	Dovetails	<i>Klingshott</i>
Mortise & Tenon	<i>Klingshott</i>	Leigh Dovetail Jig	<i>Leigh Indus.</i>
Cove Cutting on the Table Saw (Video Takes)	<i>Binzen</i>	Incra Jig	
Joinery	<i>Adams</i>	Making Raised Panels	
Radial Arm Saw Joinery	<i>Erpelding</i>	Biscuit Joinery	<i>Klausz</i>
Jointech Precision Woodworking System			

Furniture Building

Building a Three-Drawer Chest (4 tapes - SDFWA 1999 Fall Seminar)	<i>Klausz</i>		
Chairmaking Techniques	<i>Miller</i>	Measuring Furniture for Reproduction	<i>Lowe</i>
Build a Shaker Table	<i>Mehler</i>	Regluing Made Easy	<i>Stacy</i>
Repairing Furniture	<i>Flexner</i>	Chair Caning	<i>Interlace Indus</i>
Workbench (with booklet) -Shopsmith		Bookcase (with booklet) – Shopsmith	
Learn Woodworking the Easy Way [Blanket Chest] – Parko, Shopsmith			

Wood Finishing

Wood Finishing	<i>Klausz</i>	Three Simple Finishes	<i>Dresdner</i>
Refinishing Furniture	<i>Flexner</i>	Coloring Wood	<i>Saunders</i>
Secrets for a Perfect Wood Finish	<i>Flexner</i>	Spray Basics	<i>Dresdner</i>
The Wood Finishing Video	<i>Dresdner</i>		

Wood Carving

Wood Carving: Lecture and Demonstration - Disparti			
Letter Carving	<i>Hall</i>	Carving Bears & Bunnies	<i>Wolfe</i>
Beyond the Basics of European Woodcarving - Hall		Carving Desperados	<i>Wolfe</i>
Advanced European Woodcarving	<i>Hall</i>	Carving Robed Gnomes	<i>Wolfe</i>
Chip Carving	<i>Barton</i>	Carving Wood Spirits	<i>Wolfe</i>
Carving Techniques & Projects	<i>Bush & Headley</i>	Arbortech Wood Carver	<i>Arbortech</i>
Wood Rat Systems	<i>CMT Tools</i>	Carve a Ball & Claw Foot	<i>Lowe</i>

Wood Turning

Turning Wood	<i>Raffin</i>	Turning for Furniture	<i>Conover</i>
Turning Projects	<i>Raffin</i>	Tips for Turners #1	<i>Ellsworth</i>
Turning Boxes	<i>Raffin</i>	Tips for Turners #3	<i>Ellsworth</i>
Bowl Turning	<i>Stubbs</i>	Techniques from the 1995 AAW Symposium	
Wood Turning: Bowls, Platter	<i>Lewin</i>	Wood Turning: Box, Flowers, Mushrooms - <i>Lewin</i>	

Veneering & Marquetry

Veneering on Solid Wood	(Video Takes) <i>Frid</i>	Fabricating with Laminates	<i>Adams</i>
Vacuum Veneering & Clamping	<i>Vakuun Products</i>	Marquetry	<i>Adams</i>
Ironing on Veneer : (Video Takes)	<i>Rodriguez</i>	Decorative Veneering	<i>Schuck</i>
Marquetry Master Patrick Edwards in The Woodwright's Shop	<i>PBS</i>		

Hand Tools

Hand Tools	<i>Klausz</i>	Stanley Planes by the Numbers	<i>Leach</i>
The Tool Bench: Hand Tools	<i>History Channel</i>	Japanese Waterstones (Video Takes)	<i>Young</i>
Wooden Planes & Cabinet Scrapers	<i>Krenov</i>	Sharpening	<i>Filbeck</i>
Planes & Planing: Bench Planes	<i>Kingshott</i>	Hand Saw Sharpening	<i>Law</i>
Planes & Planing: Special Planes	<i>Kingshott</i>	Clamps in the Workshop (Video Takes)	<i>Maas</i>
Hand Planes in the Workshop	<i>Rodriguez</i>		

Power Tools

The Tool Bench: Power Tools	<i>The History Channel</i>	Planer Tune-up	(Video Takes) <i>Vaughan</i>
Mastering Your Bandsaw	<i>Duginski</i>	Setting Jointer Knives	(Video Takes) <i>Vaughan</i>
Laguna Tools Bandsaws	<i>Laguna Tools</i>	The Scroll Saw - A Beginners Guide	<i>Burke</i>
Mastering Your Tablesaw	<i>Duginski</i>	The Router - A Beginners Guide	<i>Goodell</i>
Tablesaw Basics	<i>Robbins</i>	Routing	<i>Adams</i>
Building the Sliding Table	<i>Horton</i>	Professional Router Secrets	<i>Rodale Press</i>
Mastering Woodworking Machines	<i>Duginski</i>	Router Jigs & Techniques (with booklet)	<i>Maas & Fortune</i>
Sliding Compound Miter Saws (Video Takes)	<i>Nagyszalanczy</i>	Advanced Router Jigs & Fixtures	<i>Adams</i>

Miscellaneous

Hickory Bark Processing	<i>Boggs</i>	Small Shop Tips & Techniques	<i>Cummins</i>
Small Shop Projects	<i>Cummins</i>	Hardwood from Forest to Finish - <i>Frost</i>	<i>Hardwood Lumber</i>
Milling a Board Foursquare	(Video Takes) <i>Korn</i>	Wood Bending	<i>Adams</i>
Beading	<i>Hack</i>	Gluing Difficult Shapes	<i>Stacy</i>
Shop Secrets from Master Craftsmen - <i>Time/Life</i>		Identification of Older & Antique Furniture - <i>Fred & Gail Taylor</i>	
Toxic Woods - <i>Woods & Calnan</i>	(Printed matter, not a videotape, from a British journal. Extensive coverage)		
Woodworking Fundamentals (with Booklet) - <i>Shopsmith</i>			

Design & Designers

Beyond Wood: <i>Cummings</i> - Jewel Fantasies in Wood	Beyond Wood: <i>Gibson</i> - Emotional Expressions
Beyond Wood: <i>Ron Kent</i> - The Translucent Bowl	Beyond Wood: <i>Rude Osolnik</i> - Turnings
Beyond Wood: <i>Gianfranco Angelino</i> - Structural Harmony	Expressions in Wood: The Wornich Collection
Beyond Wood: <i>David Ellsworth</i> - The Art of Turned Wood	Contemporary Lathe-Turned Art <i>Arenskov</i>
Beyond Wood: <i>Jean-Francois Escoulin</i> - French Follies sur Bois	<i>Sam Maloof</i> , Woodworker
Forest Expressions - The Art of Turned Wood	Instant Gallery of the 1995 AAW Symposium

VIDEO LOAN REQUEST COUPON IS ON PAGE 11 OF THIS NEWSLETTER

Bob Reese, Chairman Video Library



RETURN SERVICE REQUESTED

Non-Profit Org.
U.S. Postage Paid
Permit 697
San Diego, CA

Next meeting: 7 pm, Friday, May 21st, 2004 The Al Bahr Temple

